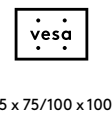
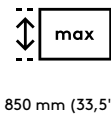
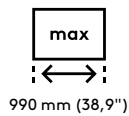
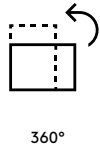
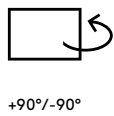
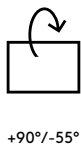
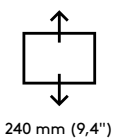
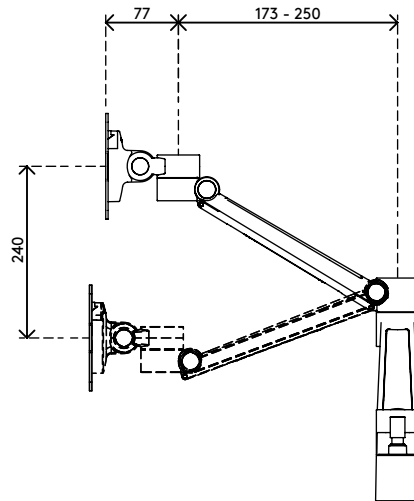
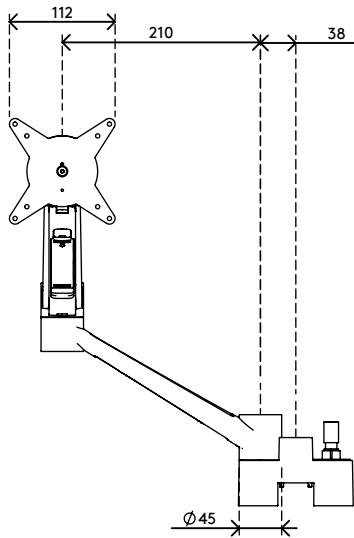
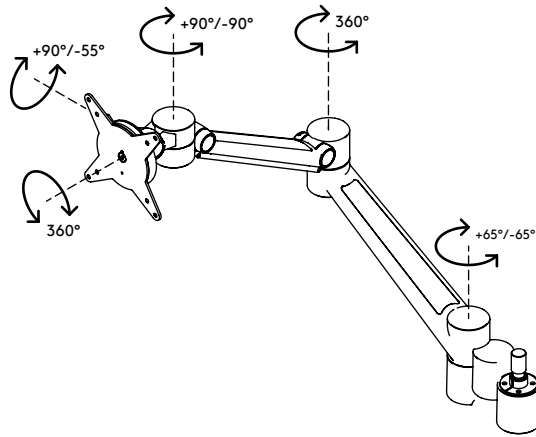
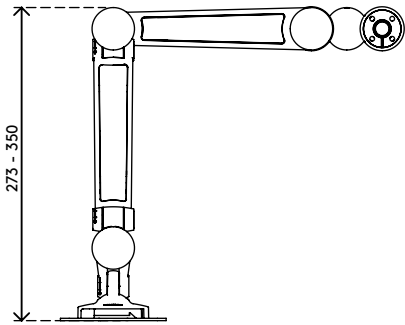


viewlite X



Viewlite Dual-Monitorarm-Upgrade-Kit - Option 603

2019/06/24

58.603

375 x 265 x 105 mm

1 pcs

schwarz

2,75 kg

805410586034