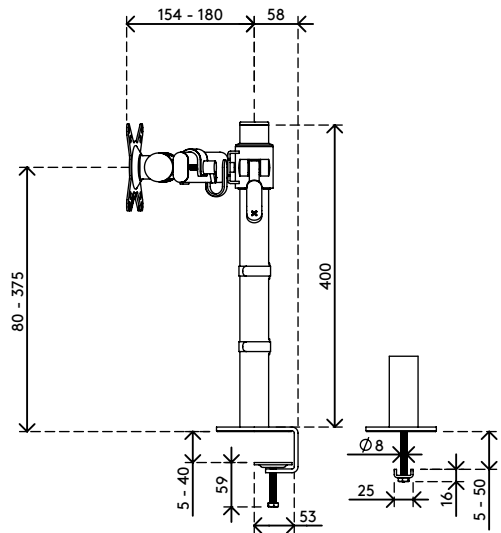
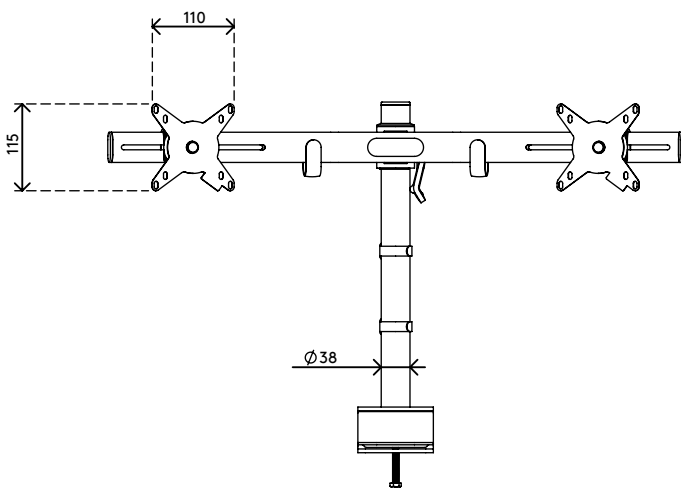
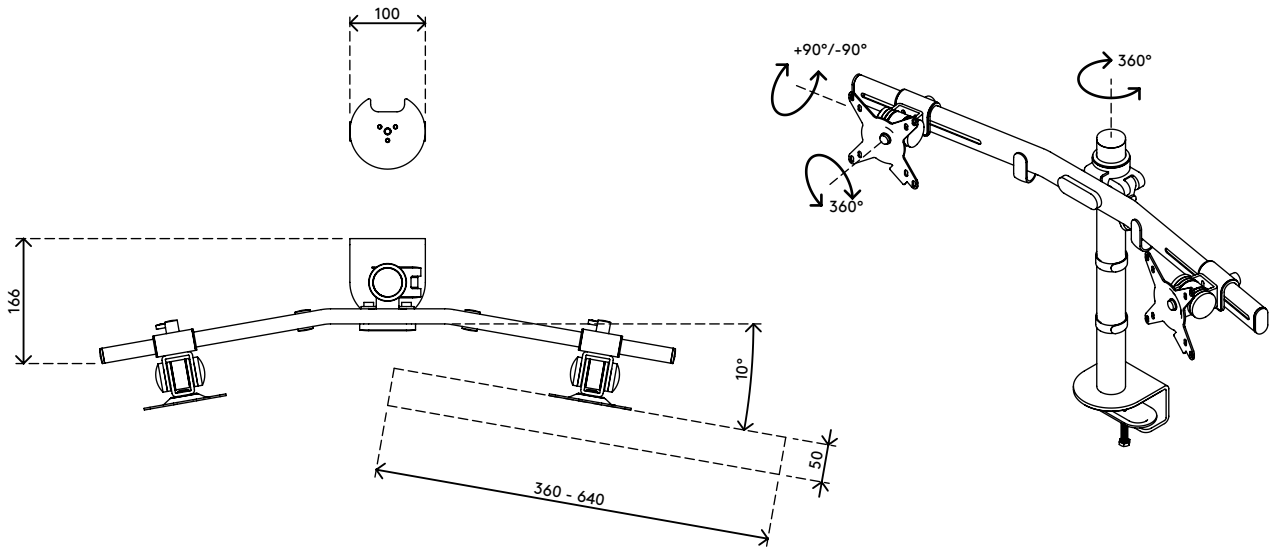
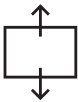








# viewmate <sup>x</sup>



-   
 295 mm (11,6")
-   
 +90°/-90°
-   
 360°
-   
 640 mm (25,2")
-   
 713 mm (28,1")
-   
 75 x 75/100 x 100
-   
 (2x) 15 kg

## Viewmate Monitorarm - Schreibtisch 643

2020/09/29

# 52.643

 730 x 170 x 111 mm

 1 pcs

 schwarz

 4,5 kg

 805410526436