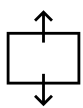
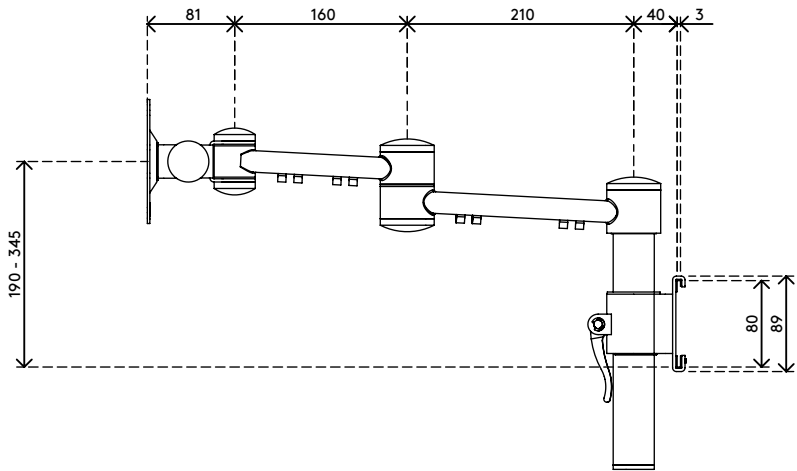
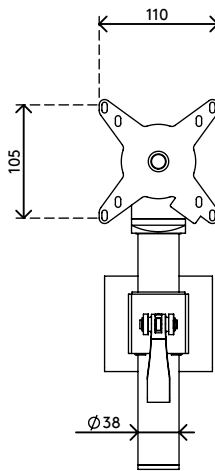
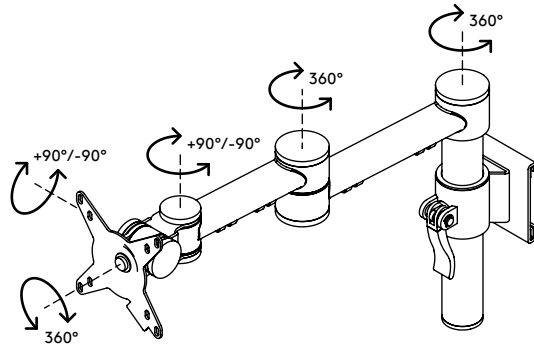
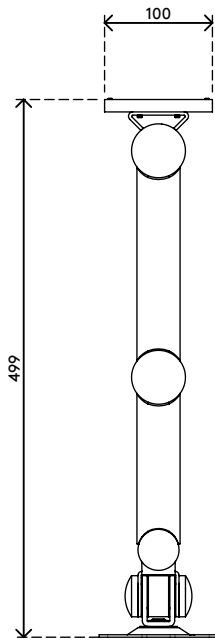


viewmate ^x



155 mm (6,1")



+90°/-90°



+90°/-90°



360°



75 x 75/100 x 100



15 kg

Viewmate Monitorarm - Schiene 152


2016/03/25

52.152

 350 x 300 x 125 mm

 1 pcs

 silber

 3,3 kg

 805410521523